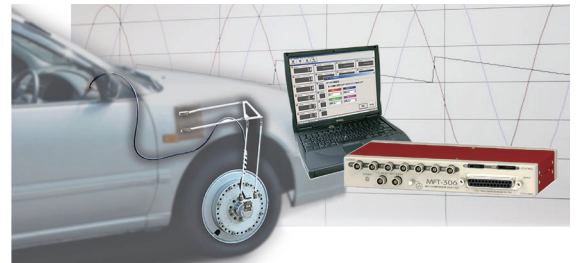


NEW

Compact and Lightweight
6-Component Wheel Force Measuring System

SLW-25KNF



Realization of a more compact and lightweight model than the conventional SLW-NC!

The main unit has been lightened from 5.2 kg to 3.3 kg, thereby mitigating the increase in unsprung weight.

And the capacity of the three-component wheel forces has been increased from 20 kN to 25 kN.

The Three Moment has been expanded from 3 kN to 4 kN, and the number of measuring vehicles has been diversified.

In addition, for the purpose of reducing the accumulation of conducted/radiated heat in the six-component wheel force transducer during braking, the six-component wheel force transducer sensing section has been opened, and the effective cool-down running and the extended operable time of the six-component wheel force transducer has been enabled.

Feature

- High Precision
- Compact and Light Weight (approx. 3.3 kg)
- Can be mounted on various vehicle models using exclusive rims and hub adapters
- Easy installation to an actual car
- Running in the rain possible because of the waterproof structure
- Built-in slip ring and rotary encoder assembly incorporates vibration resistance
- Three-phase rotary encoder precisely detects the angle at all times.
- Characteristic data are easily input to the measuring instrument using the included media.

Specifications

Type	SLW-25KNF
Capacity	Fx, Fy, Fz 25kN Mx, My, Mz 4kN-m
Non-linearity	1% RO
Hysteresis	1% RO
Temperature effect on zero	0.05% RO/°C
Temperature effect on span	0.05% /°C
Compensated temperature range	-10~+60°C
Temperature range	-20~+80°C
Allowable Overload*	Fx, Fy, Fz, Mx, My, Mz 130%
Critical Overload*	Fx, Fy, Fz, Mx, My, Mz 150%
Maximum rotation	2500 rpm
Fixing to hub	Using hub adapter Applicable hubs 100-4/100-5/114.3-4/114.3-5 hole, etc.
Fixing to tire	Using exclusive rim Applicable rim : 12-in. or larger
Input/ Output cable	φ9mm multi-core shielded polyurethane cable 5m
Weight	Approx. 3.3kg

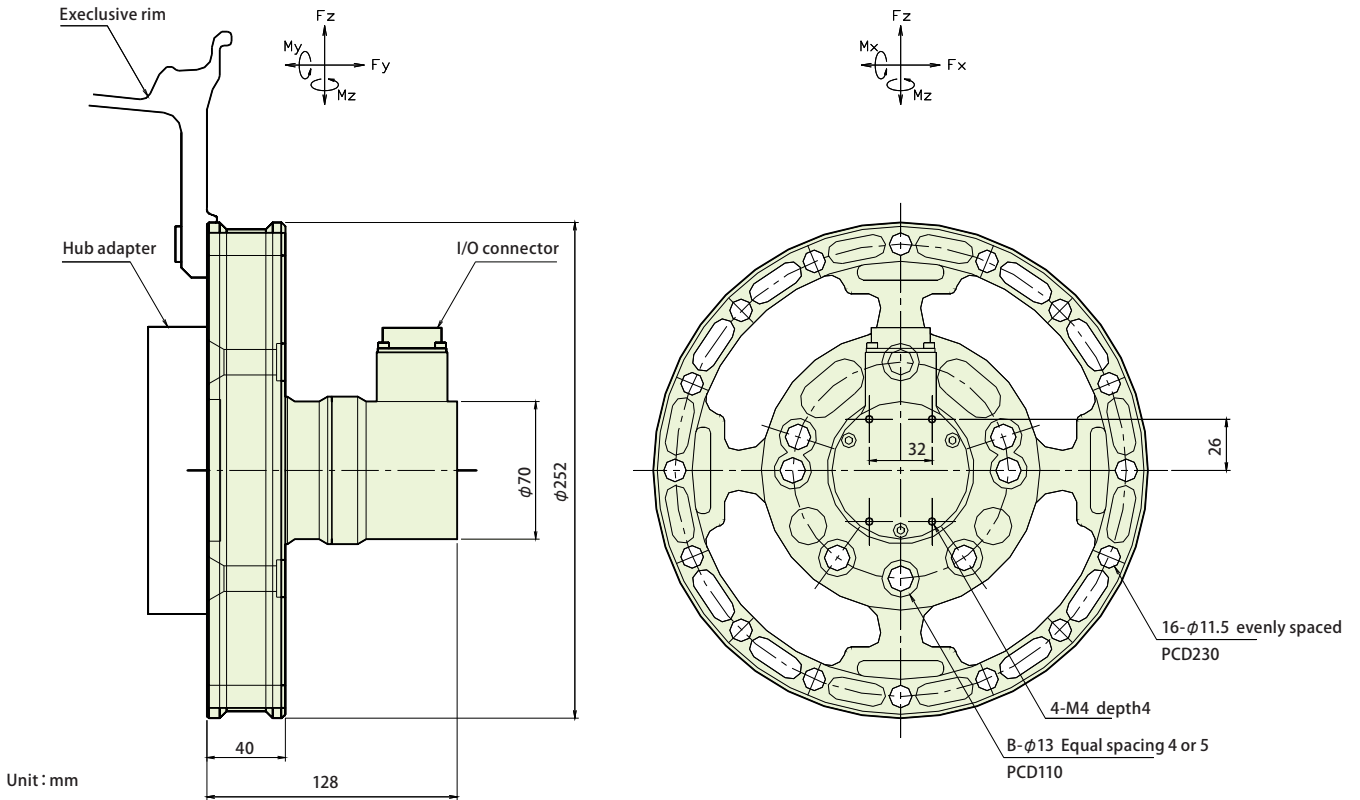
*Allowable overloads are not guaranteed when all listed component forces are simultaneously input.

*This specification is for static input. Impact loads may cause load transducer failure or damage.

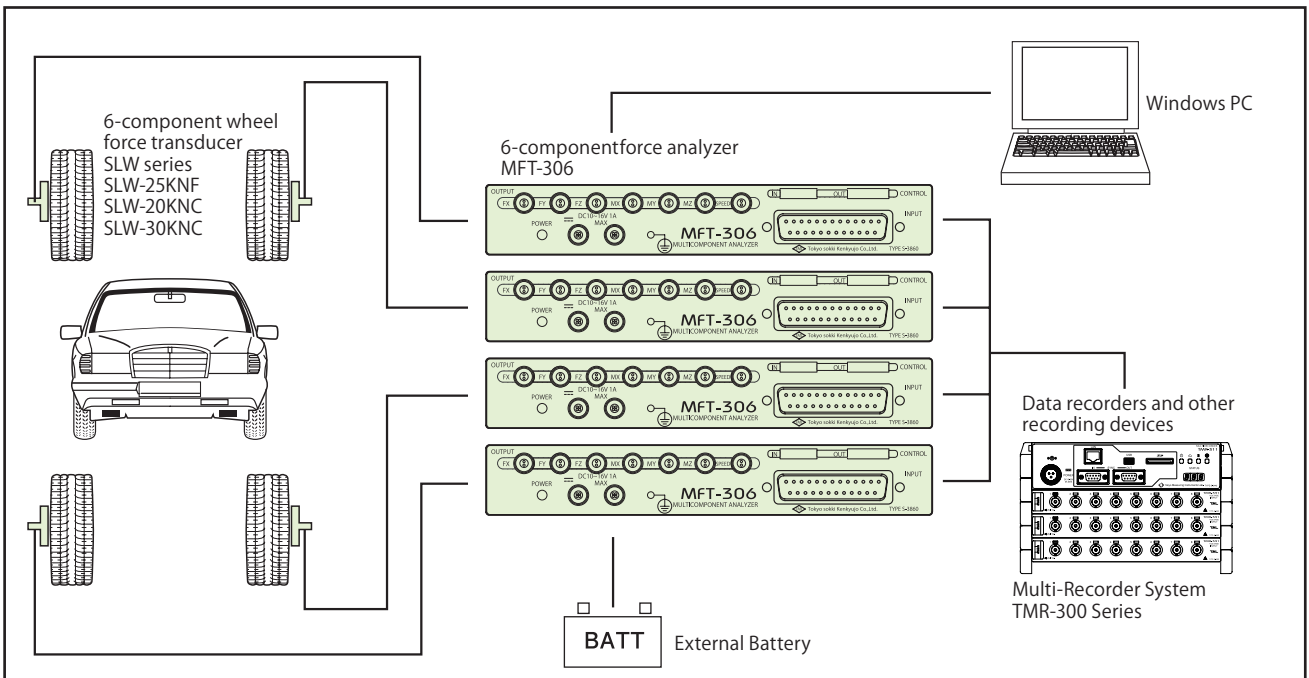


Tokyo Measuring Instruments Lab.

External Dimensions



System block diagram



The contents of this catalog are subject to change without prior notice.
The contents of this catalog are as of June 2022. TML Pam E-2041A



Approval Certificate ISO9001
Design and manufacture of
strain gauges, strain measuring
equipment and transducers



Tokyo Measuring Instruments Lab.

株式会社東京測器研究所 (URL) www.tml.jp/e

8-2, Minami-ohi 6-chome, Shinagawa-ku, Tokyo 140-8560, JAPAN
TEL: +81-3-3763-5614 FAX: +81-3-3763-5713

