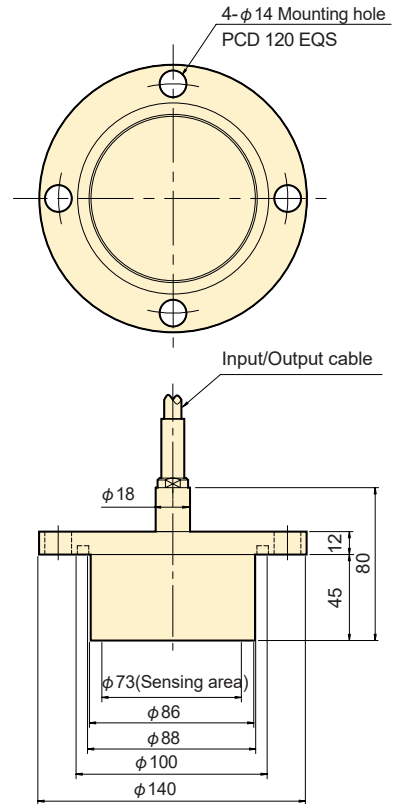
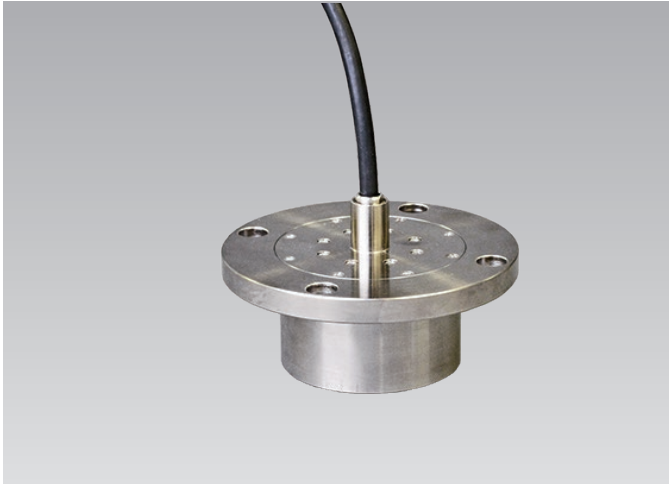


# Subgrade reaction force of caisson

## KKB-PB Caisson cutting-edge reaction meter

Civil engineering design



The KKB-PA is a transducer to measure the subgrade reaction force (bearing force) acting on the caisson cutting edge. The transducer is installed so that the sensing surface of the transducer is positioned in the same surface with the bottom surface of the caisson cutting edge. The subgrade reaction force is measured during the immersion and settlement of the caisson.

Protection ratings: IP 68 equivalent

When ordering, please clarify the shape of the cutting edge.

### Measurement of subgrade reaction force on caisson cutting edge

#### ■ SPECIFICATIONS

| TYPE                         | KKB-5MPB                               | KKB-10MPB | KKB-15MPB |
|------------------------------|--|-----------|-----------|
| Capacity                     | 5MPa                                   | 10MPa     | 15MPa     |
| Rated output                 | 1.0mV/V (2000x10 <sup>-6</sup> strain) |           |           |
| Non-linearity                | 1%RO                                   |           |           |
| Allowable temperature range  | -30 ~ +70°C (No freezing)              |           |           |
| Allowable overload           | 150%                                   |           |           |
| Input/Output resistance      | 350Ω                                   |           |           |
| Recommended exciting voltage | 3V or less                             |           |           |
| Allowable exciting voltage   | 10V                                    |           |           |
| Weight                       | 3.2 kg                                 |           |           |

Input/Output cable : φ9mm 0.5mm<sup>2</sup> 4-core shielded chloroprene cable 2m

