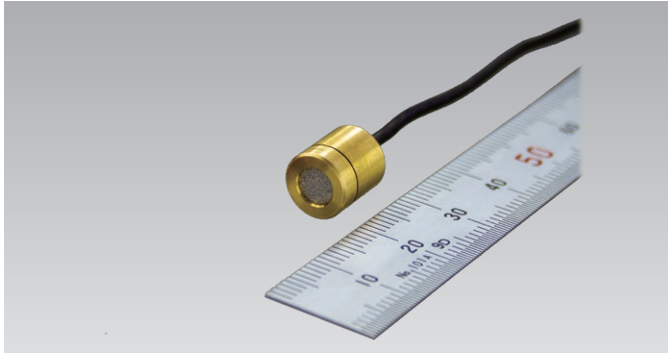


# Pore water pressure in model testing

## KPH-PA Ultracompact Pore Pressure Gauge NEW

Civil engineering design



Small, lightweight  
Easy handling  
Dual structure not affected by the outer lateral pressure  
Replaceable filter

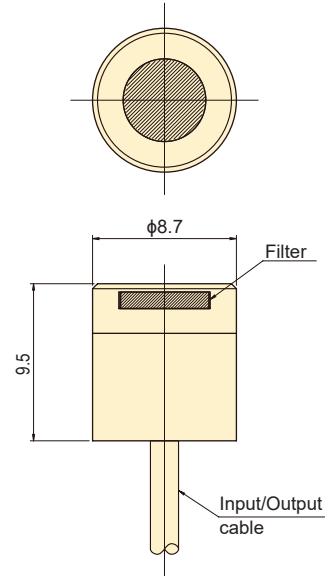
This is a miniature pore pressure gauge for measurement of pore water pressure in soil. It is designed for use in model testing, and is applicable to measurement for about one week under conditions within the specifications.

Protection ratings: IP68 equivalent

### ■ SPECIFICATIONS

TYPE	KPH-50KPA	KPH-100KPA	KPH-200KPA
Capacity	50kPa	100kPa	200kPa
Rated output	Approx. 0.5mV/V (1000x10 <sup>-6</sup> strain)	Approx. 0.75mV/V (1500x10 <sup>-6</sup> strain)	Approx. 1.6mV/V (3200x10 <sup>-6</sup> strain)
Non-linearity	1%RO		2%RO
Filter mesh	40μm		
Allowable temperature range	0 ~ +60°C (No icing)		
Input/Output resistance	350Ω		
Recommended exciting voltage	2V or less		
Allowable exciting voltage	5V		
Weight	Approx. 2.3 g		

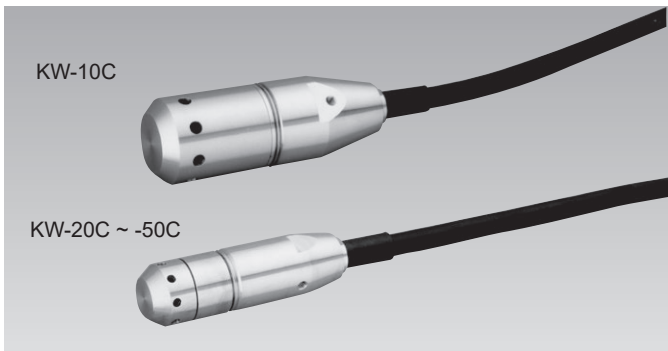
Input/Output cable : φ 1.7mm 0.035mm<sup>2</sup> 4-core shielded vinyl cable 2m



# Level of water in dam, river and under-ground water

## KW-C Water Level Transducer

Civil engineering design



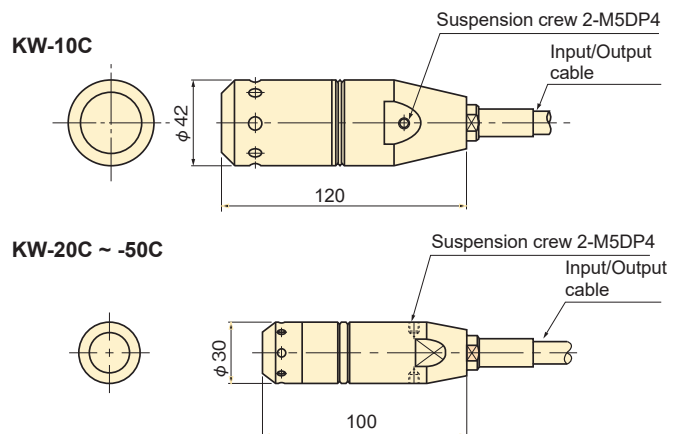
Not affected by the change of atmospheric pressure  
Made of stainless steel with excellent corrosion resistance  
Easy handling and stable measurement

The KW-C is a hydraulic water level transducer that measures the level of water in dams and rivers and the level of under-ground water in ground in landslide areas. Effects of changes in atmospheric pressure do not need to be compensated, so high-accuracy measurement can be made.

Protection ratings: IP68 equivalent

### ■ SPECIFICATIONS

TYPE	KW-10C	KW-20C	KW-30C	KW-50C
Capacity	10m	20m	30m	50m
Rated output	1mV/V (2000x10 <sup>-6</sup> strain)			
Non-linearity	0.2%RO		0.3%RO	
Temperature effect on zero	0.03%RO/°C			
Compensated temperature range	0 ~ +50°C (No icing)			
Allowable temperature range	-20 ~ +60°C (No icing)			
Input/Output resistance	350Ω			
Recommended exciting voltage	3V or less			
Allowable exciting voltage	10V			
Weight	700 g	200g		



Input/Output cable :

- KW-10C φ 11.5mm 0.5mm<sup>2</sup> 4-core shielded vinyl cable with air-vent tube 13m
- KW-20C φ 11.5mm 0.5mm<sup>2</sup> 4-core shielded vinyl cable with air-vent tube 23m
- KW-30C φ 11.5mm 0.5mm<sup>2</sup> 4-core shielded vinyl cable with air-vent tube 33m
- KW-50C φ 11.5mm 0.5mm<sup>2</sup> 4-core shielded vinyl cable with air-vent tube 53m