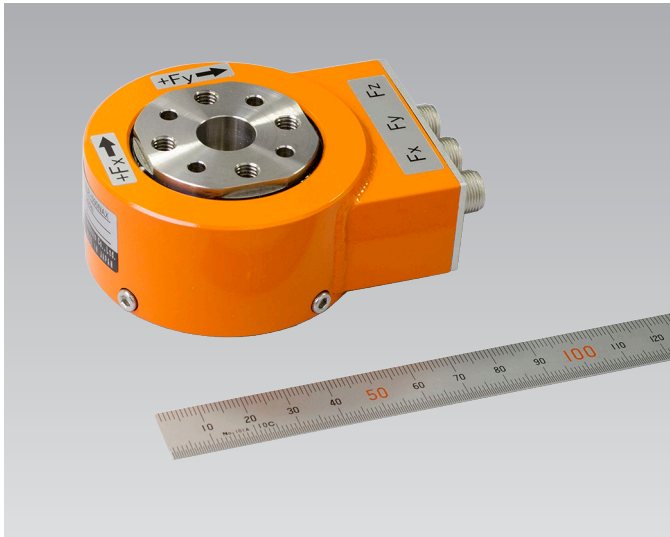


MULTI-COMPONENT LOAD CELLS

3-Component Load Cell SLP-NA-T 100N/200N/500N/1kN Made-to-order



The SLP-NA-T is a strain gauge based load cell for simultaneous measurement of forces in three mutually perpendicular axes. Since the load cell is constructed small and light, it is well suited to use in model testing.

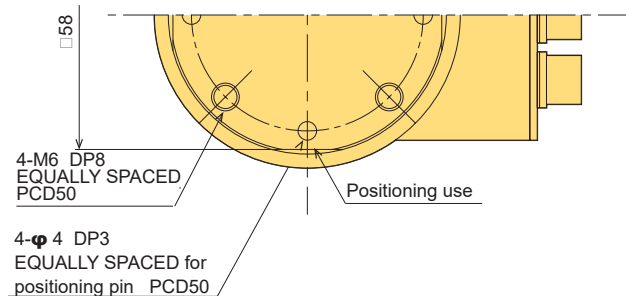
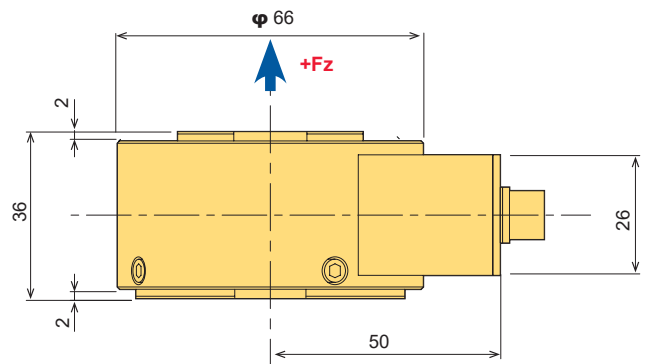
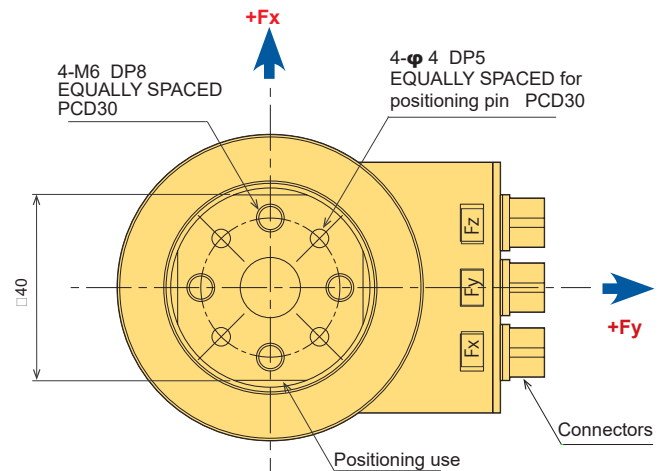
Protection ratings: IP65 equivalent

Small and light

High frequency response

Easy handling

Applicable to wind tunnel testing and vibration testing of models



■ SPECIFICATIONS

TYPE	SLP-100NA-T	SLP-200NA-T	SLP-500NA-T	SLP-1KNA-T
Capacity Fx, Fy, Fz	100N	200N	500N	1kN
Rated Output	Approx. 0.5mV/V (Approx. 1000×10^{-6} strain)			
Non-linearity	0.5%RO			
Hysteresis	0.5%RO			
Cross sensitivity	2%RO			
Temperature effect on zero	0.05%RO/°C			
Temperature effect on span	0.05%/°C			
Compensated temperature range	-10 ~ +60°C (No icing)			
Allowable temperature range	-20 ~ +80°C (No icing)			
Over Load	150%			
Ultimate overload rating	200%			
Input/Output resistance	350Ω			
Recommended exciting voltage	2V or less			
Allowable exciting voltage	15V			
Zero balance	20%RO			
Weight	Approx. 300g		Approx. 800g	

Supplied cable : φ4mm 0.09mm² 4-core shielded vinyl cable 5m, 3 pcs.